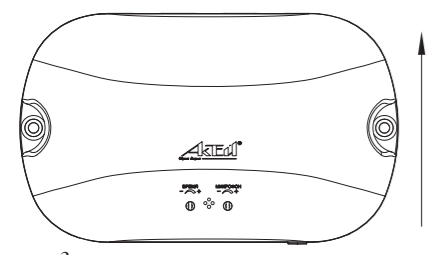


7.9

7.10

7.11

12

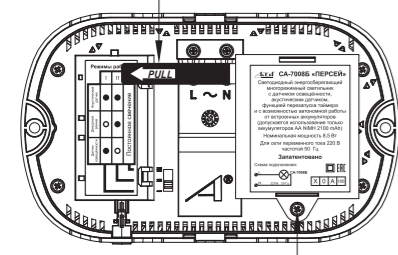


75-009-IP30-SENSOR-EM

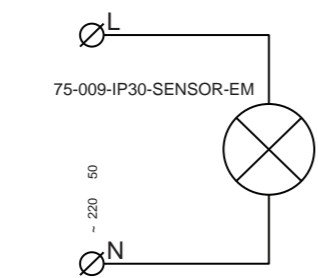
| | | | |
|-----|---|----|-----|
| | I | II | III |
| () | ● | ● | |
| | ○ | ● | |
| | ● | ○ | |

4

75-009-IP30-SENSOR-EM



5



6

75-009-IP30-SENSOR-EM

8

8.1

8.2

8.3

8.4

8.5

8.6

8.7

9

I.



75-009-IP30-SENSOR-EM

II.

III.

10

11

12

AA NiMH 2100 mAh,

30

40 °C.

—1



1

1.1

1.2

1.3

1.4

1.5

1.6

1.7

2

— 175...265

— 50

— 165...265

— 9

— 2

— 940

— 200

— 900

— 200

126000

— (52 ± 5)

— 60...140

(cos) — 0,9

— IP30

30804.4.4-2013 — 1

0 40°

UL94 — v2

— 7

— 182 x 111 x 50,2

60598-2-22-2012:

0° — 3 (III — 1)

0° — 12

— AA NiMH 2100 mAh

3

75-009-IP30-SENSOR-EM — 1

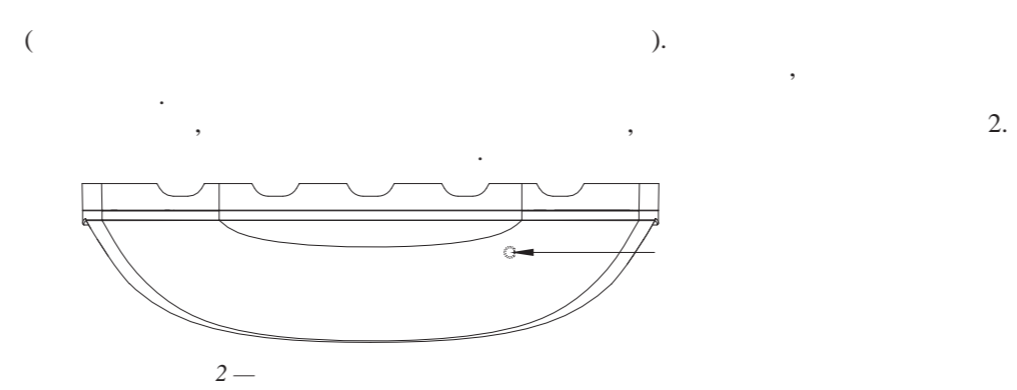
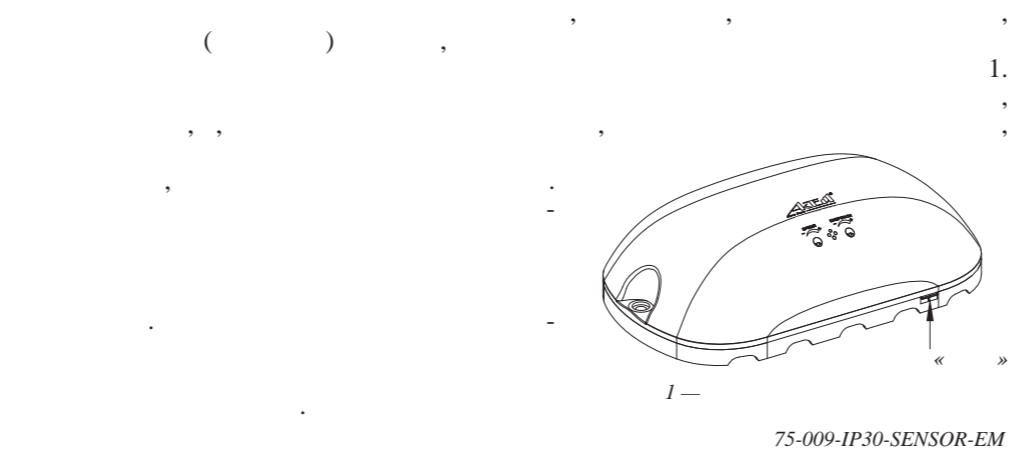
AA NiMH 2100 mAh — 4 . () —

— 1 . — 1

— 1 .

4

— 7008



5

5.1

« 30 », () 1,

12 . ()

12 , ()

2 ,

AA NiMH 2100 mAh.

5.2

5.3

5.4

5.5

5.6

5.7

6

6.1

6.2

6.3

6.4

. 10

7

7.1

5 () ,

3.

7.2

7.3

7.4

7.5

7.6

4, - () ,

7.7

5. () , 8.3-8.6

7.8

6.